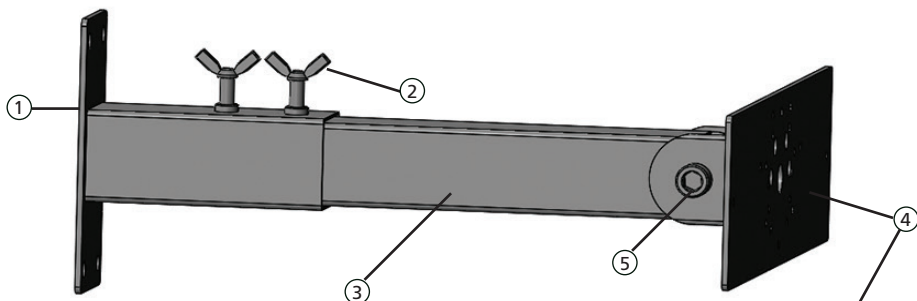


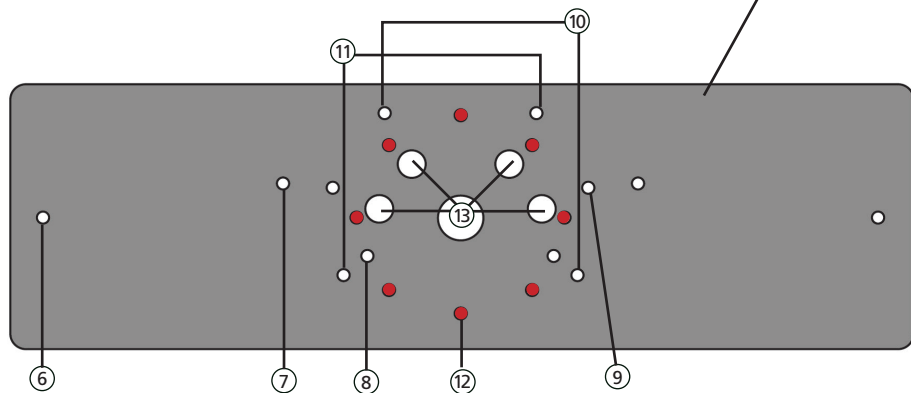
# MINI INDUSTRIAL BRACKET

Short universal industrial mounting bracket

## DESCRIPTION



1. 12" x 2.5" mounting face (fasteners not included)
2. adjustment locking screws
3. extendable adjustment
4. sensor mounting face
5. angle locking bolt



6. IXIO
7. Eagle HM
8. Falcon / IS40 / IS40P
9. LZR - microscan (centered mounting)
10. LZR - microscan (right mounting)
11. LZR - microscan (left mounting)
12. LZR family \* ●
13. wire passage hole

\*Multiple mounting options available refer to LZR mounting template

## TECHNICAL SPECIFICATIONS

Material:	Carbon Steel (powder coated black)
Adjustment:	6-12 inches (up to 4 inches maybe cut off for shorter application)
Adjustment tool:	5/16 Allen Wrench
Weight:	2.32 lbs

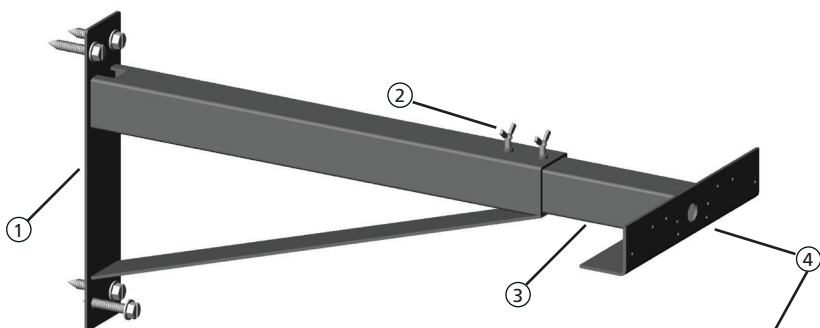
Specifications are subject to changes without prior notice. All values measured in specific conditions

**For more information , please visit [www.devancocanada.com](http://www.devancocanada.com),  
or call toll free at 1-855-931-3334**

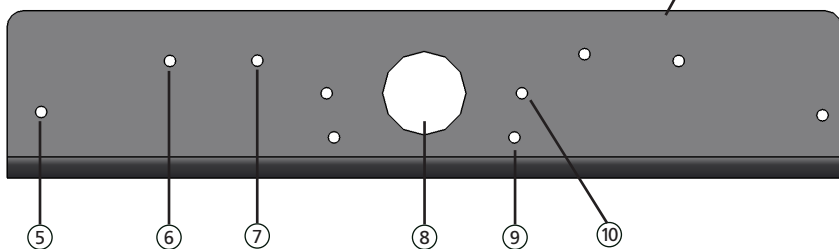
# INDUSTRIAL BRACKET

Universal industrial mounting bracket

## DESCRIPTION



1. 12" x 2.5" mounting face (fasteners not included)
2. adjustment locking screws
3. extendable adjustment
4. sensor mounting face



- |                         |                          |
|-------------------------|--------------------------|
| 5. IXIO / Wizard / Iris | 8. wire passage hole     |
| 6. DK12                 | 9. Falcon / IS40 / IS40P |
| 7. Eagle HM             | 10. LZR family           |

## TECHNICAL SPECIFICATIONS

Material:	Carbon Steel (powder coated black)
Adjustment:	20-36 inches
Weight:	5.38 lbs

Specifications are subject to changes without prior notice. All values measured in specific conditions.

**For more information , please visit [www.devancocanada.com](http://www.devancocanada.com),  
or call toll free at 1-855-931-3334**